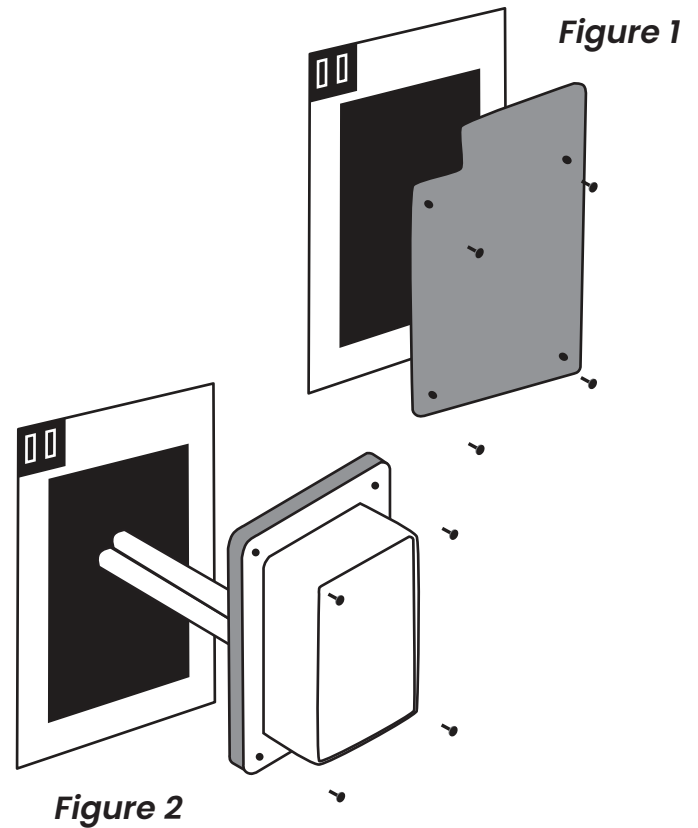


# UV Accessory Kit

## Quick Installation Sheet

### Installation Steps:

1. Ensure the cooling unit is NOT plugged into the wall.
2. Remove the screws securing the removable panel to the unit, if applicable. Retain this panel for future use if UV is removed. (Figure 1)
3. Locate UV light ballast.
4. Place the UV light ballast on a table or flat surface with the white socket facing up.
5. Use a gloved hand, paper towel or lint free cloth to remove the UV bulb from its packaging.
6. Place the base of the bulb into the socket pressing until you hear it click.
7. Before attaching the UV assembly into your cooling system, orient the UV ballast so the bulb is towards the bottom of the ballast.
8. Align the UV light assembly with the opening on the cooling unit and secure it using the screws removed in step 2. (Figure 2)
9. Plug the power cord of the UV Ballast into the UV power receptacle on the cooling unit.
10. Plug the power cable for the cooling unit back in and turn on the power to the unit.



**SCAN QR CODE**  
Installation Video

**WARNING:** To avoid damage to the bulb, do not touch the glass bulb with bare hands.

**WARNING:** Do not plug in the UV light ballast until it has been fully installed. Never look directly into the UV light. Permanent damage to your vision may result.

**WARNING:** Do not use screws other than those provided with the system. Longer screws can damage internal components.

**WARNING:** Do not plug any other devices into the UV power receptacle. This could damage your system and void your warranty.

### Advisements:

- The UV light module should be installed AFTER the unit has been fully installed/mounted.
- Please refer to the manual for complete instructions and unit specific instructions.
- The UV light is not on all the time. It is only powered while the compressor is running.
- The bulb should be serviced annually, to ensure it's effectiveness. To replace the UV bulb, remove the 4 screws mounting the ballast and follow steps 4-10.