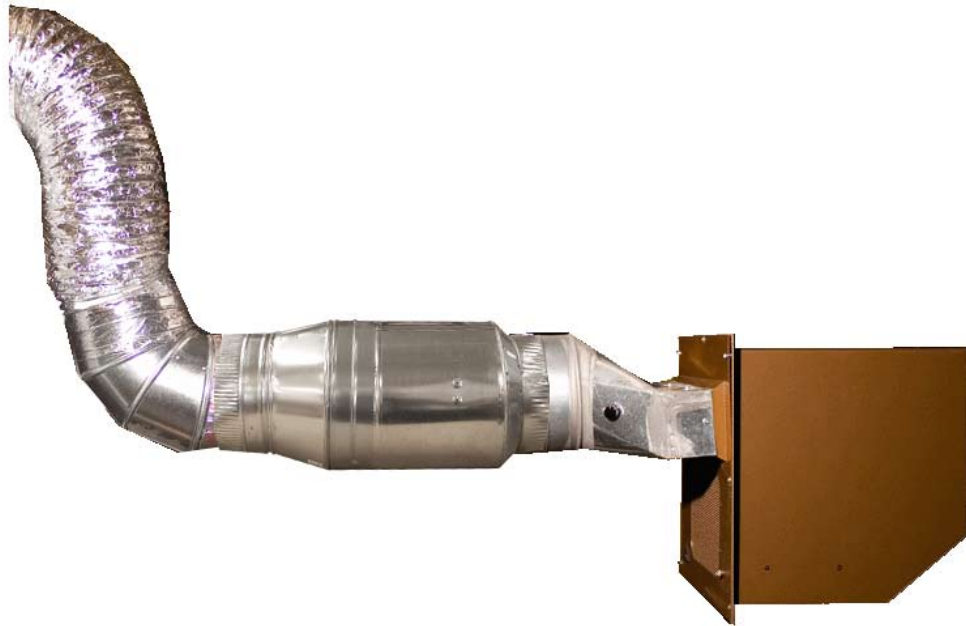


Large XLT Duct Kit Installation



Vinothèque
WINE CELLARS

1738 East Alpine Avenue
Stockton, California 95205
www.Vinothèque.com

Customer Service
1-800-343-9463

“Protecting Your Investment in Fine Wines”

Duct Kit Parts List

Large XLT Duct Kit

90° Register Boot



Model DF-10C Duct Fan
from Wells Technology, Inc



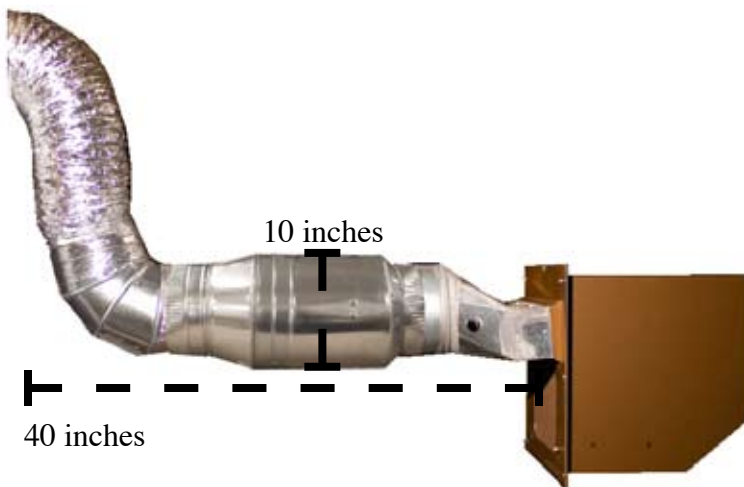
Boot-Unit Adapter



Flange



Measurement Guidelines



Thermostat Controller



8" Flex Ducting
(not included)

Step 1

First: Remove the five screws which will hold the ducting unit in place

One screw is located at the top-center



A pair of screws are located at the top-right and the top-left



Another pair of screws are located mid-right and mid-left

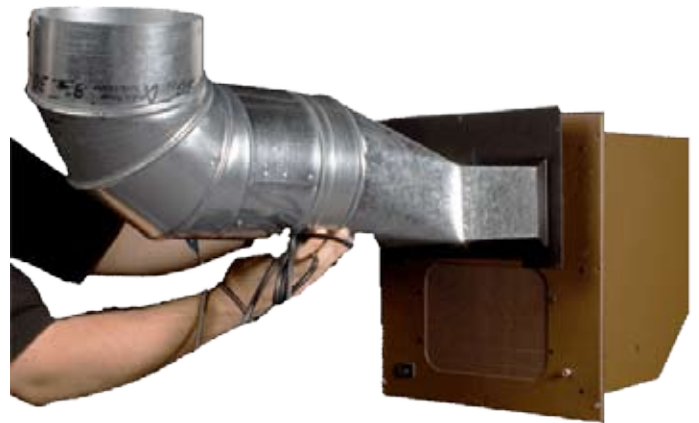


Step 2

Second: Move the ducting unit in place and attach it into the unit.

Note: Installation procedure for the Small XLT Duct Kit and the Large XLT Duct Kit are the same. The photos below feature the Small XLT Duct Kit.

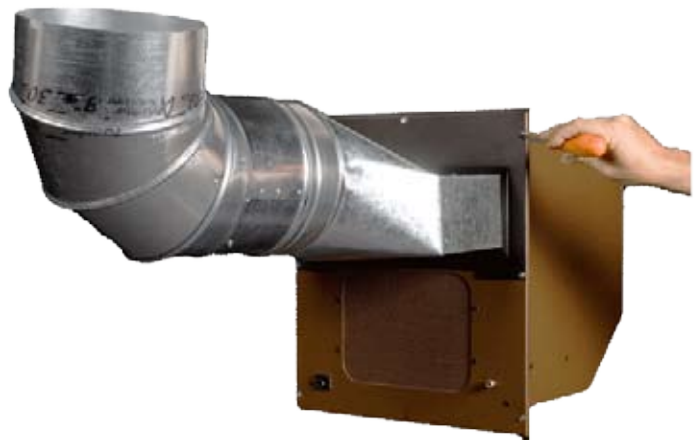
Line up the screw holes on the ducting unit with the screw holes on the WhisperKOOL® XLT



Screw the ducting unit onto the WhisperKOOL® XLT starting with the top center screw...

then the top-right and top-left screws...

then the bottom right and the bottom left screws



Step 3

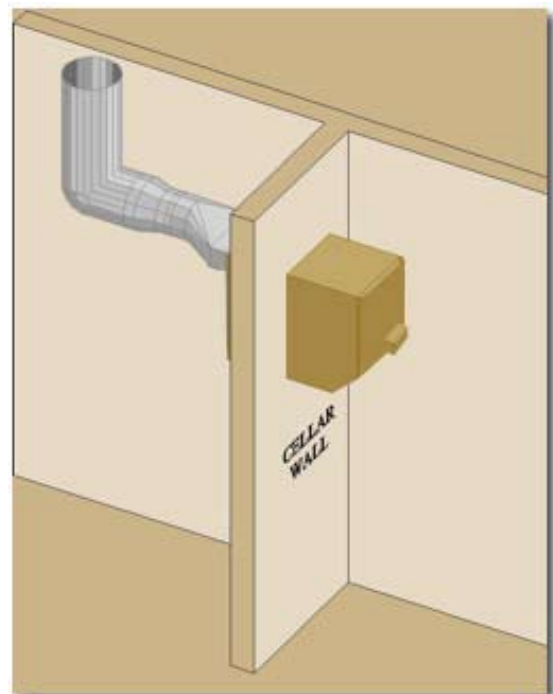
Third: Plug the unit in

The fan will not instantly turn on. Instead, a heat sensor will detect when the unit begins to heat up which will trigger the fan to regulate temperature.

The customer will need to purchase 8" flex ducting, along with any hangers needed to run the ducting outside



The warm air can be exhaust to several places such as an attic, an adjacent room, or outside. The goal is to get the warm exhaust air away from the rear intake of the unit.



Step 4

Using the Thermostat Controller

The in-line fan will turn on and push warm exhaust air away from the WhisperKOOL® unit, preventing the unit from overheating. The in-line fan is capable of moving warm air through 25 feet of 8" flex ducting (not included).

The in-line fan can be set to automatically turn on at varying temperatures in order to conserve the most electricity.



Setting the Thermostat Controller to its lowest setting will turn the fan on at lower temperatures (Around 70° F).

Setting the Thermostat Controller to its highest setting will turn the fan on at higher temperatures (Around 100° F).

If the unit isn't cooling properly, setting the thermostat controller to a lower setting may fix the problem.



Vinothèque
WINE CELLARS

1738 East Alpine Avenue
Stockton, California 95205
www.vinotheque.com

Whisper**KOOL**®