

# WhisperKOOL™

WhisperKOOL  
1738 E. Alpine Ave. Stockton, CA 95205  
1(800) 343-9463  
www.whisperkool.com

## INTRODUCTION

The ThruWall fan moves air from room to room quietly and efficiently. Simple to install in any frame wall from 3-1/2" to 6-3/4" thick. A high quality Thermally Protected motor with balanced fan blade moves up to 200 CFM. Move heated or cooled air between rooms.

The fans are carefully packaged, inspected and tested to insure safe operation and delivery. When you receive your fans, examine it carefully to determine that there are no broken or damaged parts that may have occurred during shipment. If damage has occurred, make notation and notify WhisperKool. They will assist you in replacement or repair, if required.

READ INSTRUCTIONS CAREFULLY BEFORE ATTEMPTING TO INSTALL, OPERATE OR SERVICE THE THRUWALL ROOM TO ROOM FAN™. KNOW THE FAN APPLICATION, LIMITATIONS AND POTENTIAL HAZARDS. PROTECT YOURSELF AND OTHERS BY OBSERVING ALL SAFETY INFORMATION. FAILURE TO COMPLY WITH INSTRUCTIONS COULD RESULT IN PERSONAL INJURY AND/OR PROPERTY DAMAGE! RETAIN INSTRUCTIONS FOR FUTURE REFERENCE. INSTALLATION AND CONNECTIONS ARE TO BE MADE BY A QUALIFIED PERSON.



### IMPORTANT NOTICE

**WARNING - TO REDUCE THE RISK OF FIRE OR ELECTRIC SHOCK, DO NOT USE THIS FAN WITH A SOLID STATE SPEED CONTROL DEVICE.**

With the use of any electrical appliance, it is important to observe all basic precautions to minimize the risk associated with use, such as electrical shock, fire, or injury to persons.

**Read these instructions before using your ThruWall Room to Room Fan™.**

If you have doubts or are unfamiliar with this type of installation work, seek the services of a qualified electrician. WhisperKOOL assumes no responsibility for installation of thru ThruWall Fan™ Do not use a variable speed controls with this product. WhisperKOOL does not provide electrical connection information. For your safety and protection follow all instructions and adhere to applicable building and/or electrical codes.

**Not for bathroom use.**

**Do not use in wet locations.**

**Do not use in a window.**

**Do not install in fire rated walls.**

**Route the electric cord so that it cannot be tripped over.**

**Use only a grounded wall outlet.**

**WARNING -**

**TO REDUCE THE RISK OF FIRE, ELECTRIC SHOCK OR INJURY TO PERSONS, OBSERVE THE FOLLOWING:**

1. Installation work and electrical wiring must be done by qualified person(s) in accordance with all applicable codes and standards, including fire-rated construction.
2. When cutting or drilling into wall or ceiling, do not damage electrical wiring or other hidden utilities.
3. Not to be used with any solid state speed control.

Operation Instructions:

The ThruWall is equipped with a two speed motor. There is a three position switch on the output side of the fan. The switches: position (I) is low speed, center (O) off, and position (II) is high speed.

## PLEASE READ THESE INSTRUCTIONS BEFORE STARTING INSTALLATION

The ThruWall can be mounted in any normal drywall or paneled stud construction wall up to 6-1/2" maximum total thickness. Depending on your needs, the ThruWall can be installed high or low on the wall. Please note that warm air rises, thus is found near the ceiling. Conversely, cold air falls and is found near the floor. The temperature of the air near the ceiling may be as much as 10°F to 15°F higher than near the floor. Start by making sure that there are NO studs, water, drain, electrical or other obstruction in the wall where you wish to install the unit. The power cord of the ThruWall is 10ft long, please verify that the power cord will reach a 110 Volt AC outlet. The use of extension cords is not recommended. Please see the airflow direction label on the housing. The grilles of your ThruWall fan may be painted to suit any decor. Thoroughly wash the grilles with mild household detergent, dry completely, and spray with a quality, fast dry, spray paint.

When installing your ThruWall fan, the cutouts must be accurate.

### IN THE CARTON YOU WILL FIND:

- (1) Telescoping metal sleeve with plastic grill attached.
- (1) Telescoping metal sleeve without grill attached.
- (1) Loose grille.
- (6) #6 Screws.
- (6) Wall Anchors.

## ONE YEAR WARRANTY

Subject to the following limitations, WhisperKOOL warrants that the ThruWall Fan will, for 1 (one) year from date of original retail purchase, but not exceeding two years from date of manufacture, remain free from appearance of defects in workmanship or materials. This warranty is subject to the following limitations: (a) manufacturer's liability is limited to the replacement or repair of the unit, as decided by the manufacturer; (b) a defective unit must be returned, prepaid, with proof of purchase; and (c) this warranty does not apply to defects resulting from the alteration, abuse, accidental damage, unauthorized repair, or misuse of the unit. This warranty is given in lieu of all other warranties, guarantees, and conditions on manufacturer's part, and the manufacturer shall have no tortious or other liability in respect to this ThruWall Fan.

Actual product appearance may differ from illustrations.

WhisperKOOL reserves the right to modify any or all of its products' features, designs, components and specifications without notice.

## INSTALLATION

1. Place the metal sleeve (without the grille attached) against the wall with the flanged edge facing you. Trace the pipe on the outside with a pencil to mark the cutout. (Figure 1)

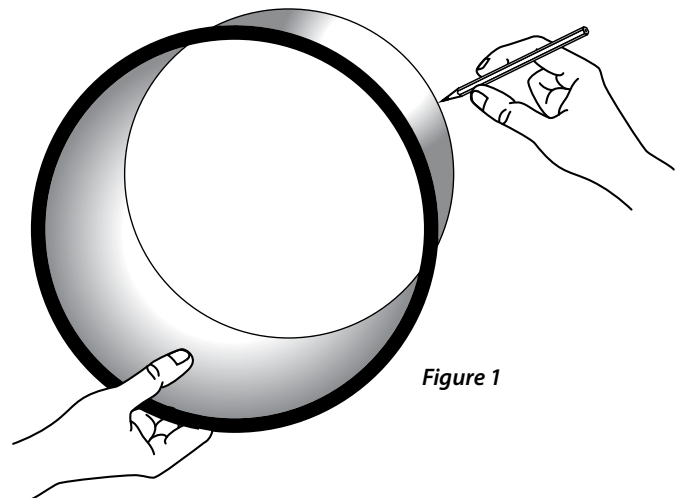


Figure 1

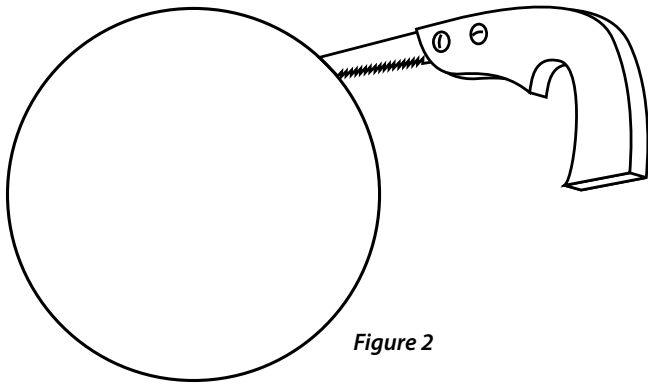


Figure 2

2. Cut out the circular opening with a small drywall saw. Cut inside the pencil line. Take care not to damage the edge of the drywall since you will be installing drywall anchors close to the hole to mount the grille. (Figure 2)
3. Project the edge of the cutout onto the inside of the other wall board in three places, approximately 120° apart. Use a small square or a piece of cardboard that has an exact 90° angle to mark the cutout points on the inside of the other wall. The two circular openings must be accurately aligned. (Figure 3)

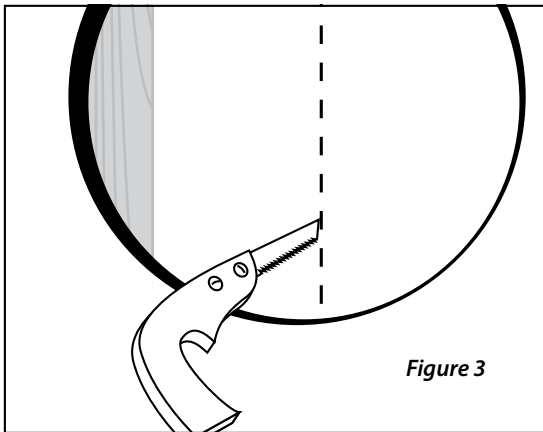


Figure 3

4. Use a small sharp pin or very small drill bit (1/32" or smaller) to punch or drill these three marks to the outside of the other wall.
5. Place the other sleeve, with grille attached, against the outside of the wall and center its location using the three markers that you have made, then trace the outside of the sleeve with a pencil. Cut the circular opening with a small drywall saw. Cut inside the pencil line. Take care not to damage the edge of the drywall. You will be installing drywall anchors close to the hole to mount the grille.
6. Insert the metal sleeve with grille into the cutout opening (fan output side) and snug the flange up against the wall material, making sure that power cord is hanging straight down.
7. Insert the other metal sleeve into the cutout opening (fan suction side) and snug the flange up against the wall material.
8. Position the unattached plastic grille over the metal sleeve that was just inserted so that the logo is at the bottom and that one of the mounting holes is in the top center. Mark the location of all 3 wall anchors. Make sure that the grille ribs are nicely square with the floor.
9. Mark the position for the wall anchors on the grille.
10. Remove metal sleeve with grille attached and drill the holes on both sides of the wall for the anchors with a sharp 3/16" drill bit. Install wall anchors and after re-inserting metal sleeve with grille attached, screw the grilles down snugly. (Figure 4) DO NOT OVERTIGHTEN.

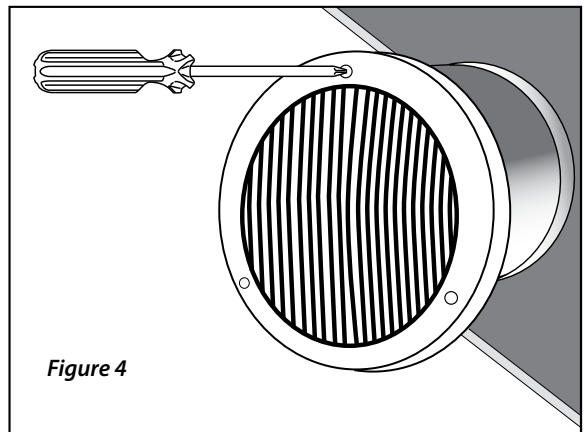


Figure 4

